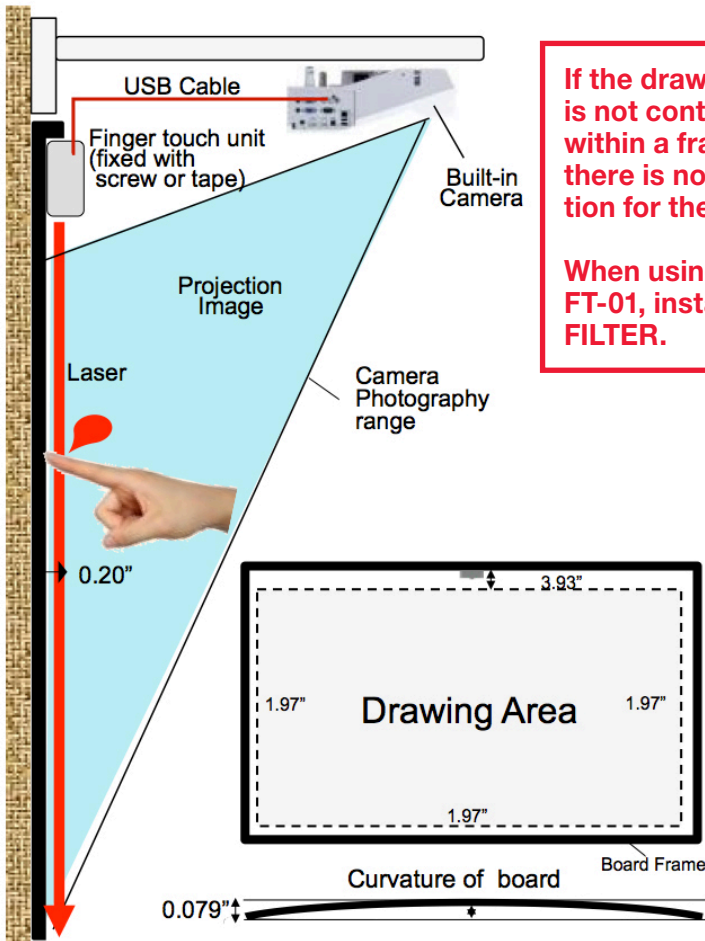


FT-01 Finger Touch Unit

For use with Hitachi CP-TW2503, CP-TW2505, CP-TW3003 and CP-TW3005.

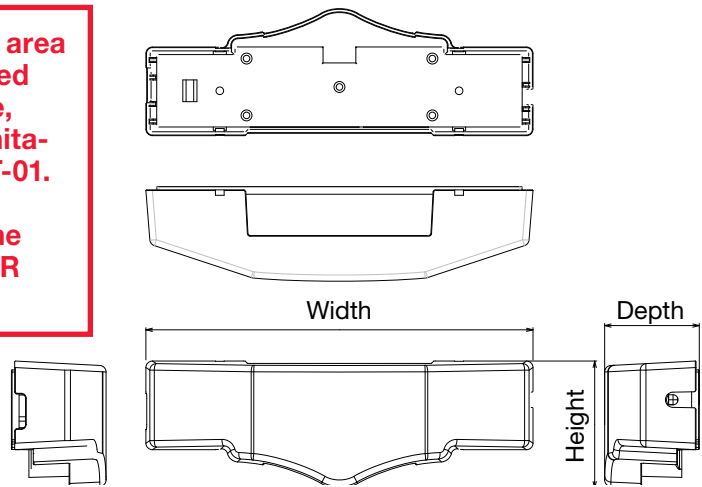
HITACHI
Inspire the Next

Touch-based interactivity for greater communication versatility.



If the drawing area is not contained within a frame, there is no limitation for the FT-01.

When using the FT-01, install IR FILTER.



Specifications	FT-01
Power supply/Rated current	DC 5V/200mA
Power consumption	1W
Temperature range	0 ~ 40°C (Operating)
Size	7.01" (W) x 2.28" (H) x 1.73" (D) Not including protruding parts
Weight	3.88 oz.

HI0329-Rev.2-08/15
All specifications subject to change without notice.
©2015 Hitachi America, Ltd. All Rights Reserved.

Hitachi America, Ltd.

Toll Free: 1.800.HITACHI • Email: dmd.info@hal.hitachi.com
Web: hitachi-america.us/projectors • Blog: dmd.hitachi-america.us/blog

